



KPX12/20T

PORTABLE WASTE COMPACTOR

KPX Range

The range of KPX waste compactors are ideally suited for compacting materials such as dry industrial and commercial general waste, cardboard, plastic packaging, timber and recyclables. Each has been designed to ensure you achieve maximum performance and reliability, with ease of operation.

Special FEATURES of the KPX Range :

- High Efficiency Power Packs
- Low Noise Gear Pumps
- Remote Monitoring System (RMS)
 - Text and Email Notification of Machine Status (Variable Filling Level Notification, Full Message and Machine Fault Status)
 - Remote Diagnostic Functionality (back at Kadant PAAL Factory)
 - Intelligent Service Scheduling, Via Hours Run
 - Machine Identification & Location (allowing multiple machines at same site)
 - Monitoring of Hydraulic Oil Levels and Leak Detection
 - Hydraulic Oil Overheat and Shut Down Facility

KADANT PAAL LIMITED IS THE UK'S LEADING MANUFACTURER AND SUPPLIER OF WASTE COMPACTORS AND BALING EQUIPMENT.

DICOM

BENEFITS :

- Lower Electricity Costs
- Increased Performance in Compaction, Due to Intelligent Electronics and Hydraulics
- Fewer Vehicle Movements/Collections Thanks to Improved Full Level
- Enhanced Maintenance and Housekeeping Accessibility
- Reduced Noise Levels
- Lower Maintenance Costs
- Maximum Payloads

OPTIONAL EQUIPMENT :

- Custom Built Hopper
- Liquid Retentive Seal
- Remote Power Pack
- Choice of Colours

SAFETY :

All Dicom Brand products are designed and manufactured with operator safety our highest priority.

Each compactor comes fully compliant to all current Safety Standards and UKCA Marked.

During installation full safety and certified operator training is provided by our highly experienced installation and service engineers.

Equipment is supplied with the following standard safety features :

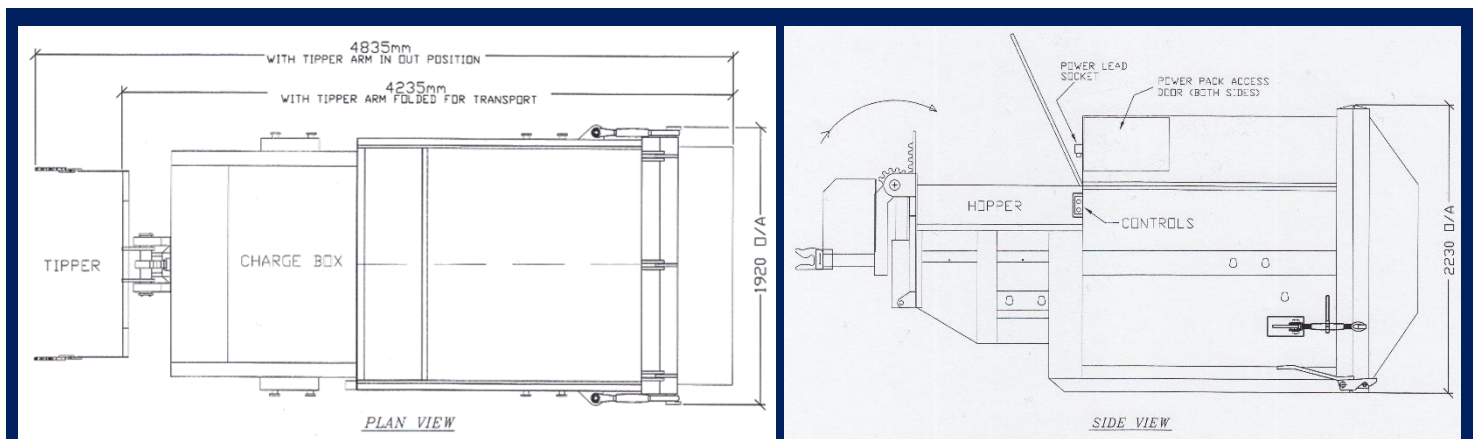
- Emergency Stop
- 24 Volt controls
- Dual safety switches
- Dual channel safety relays
- Operator manuals supplied

Technical Data and Measurements

Machine Capacity (m ³)	9	Blade Penetration (mm)	150
Compaction Force (Tonnes)	20	Charge Box Volume (m ³)	0.75
Cycle Time (Seconds)	40	Motor Size	5.5 kW
Volume Per Hour (m ³)	67.5	Ram Depth (mm)	736
Top Opening (mm)	1340 x 685		
Electrical Supply Requirements	415V, 3-phase with neutral and earth. 16A phase supply		

Dimensions in mm

Overall Height	2230	Loading Height	1634
Overall Maximum Length (mm) with Tipper Arms in Open Position	4835	Width	1920
with Tipper Arms in Closed Position	4250		



All dimensions are correct at time of print; however Kadant PAAL is continually improving our products and for space critical situations, dimensions can be confirmed.